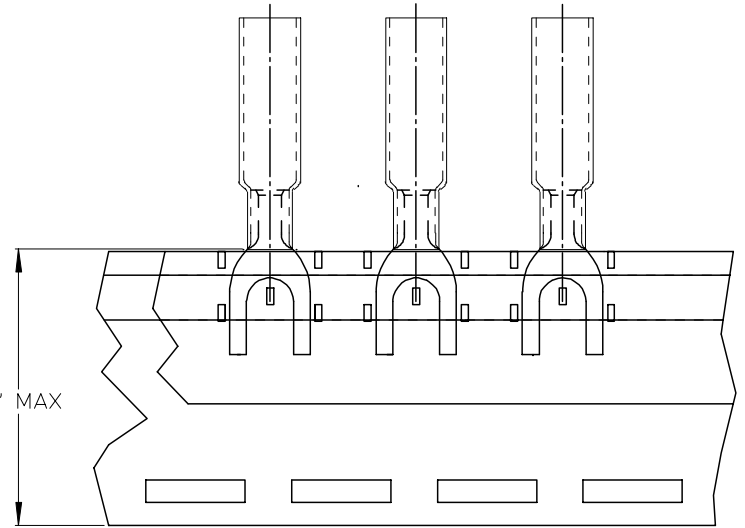
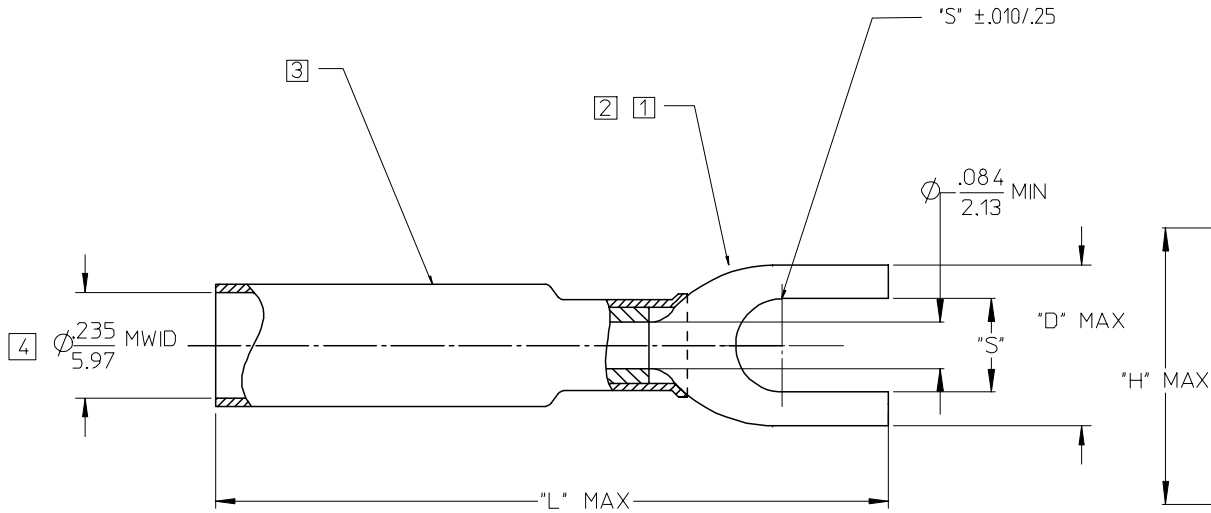


MATERIAL NUMBER LOOSE PC.	ENGINEERING NUMBER LOOSE PC.	MATERIAL NUMBER ON TAPE	ENGINEERING NUMBER ON TAPE	STUD SIZE	STUD HOLE SIZE "S" ±.005/.13	"D"	"H"	"L"
191640028	SB-227-06	191640948	SB-227-06T	#06	∅.146/3.71	.37/9.4	.990/25.15	1.42/36.1
191640029	SB-227-08	191640949	SB-227-08T	#08	∅.173/4.39	.40/10.2	.990/25.15	1.42/36.1
191640030	SB-227-10	191640950	SB-227-10T	#10	∅.198/5.03	.40/10.2	.990/25.15	1.42/36.1



NOTES:

- [1] TERMINAL MATERIAL: COPPER ALLOY .031/0.79 THK.
- [2] FINISH: ELECTRO TIN PLATE.
- [3] INSULATION MATERIAL: PERMA-SEAL SHRINKABLE TUBING WITH HOT-MELT ADHESIVE INNER LINER. COLOR: BLUE.
- [4] MWID = MAXIMUM WIRE INSULATION DIAMETER.

PROPOSED EC NO: C	2005/06/28 DRWNL SHADECK 2005/07/21 CHKD: REROSS 2005/07/21 APPR: JPAWLICK	DESCRIPTION	QUALITY SYMBOLS	GENERAL TOLERANCES (UNLESS SPECIFIED)	DIMENSION STYLE IN/MM	SCALE	DESIGN UNITS	THIRD ANGLE PROJECTION
			$\nabla = 0$ $\nabla = 0$			mm	INCH	
REV				4 PLACES ± --- ± ---	DRAWN BY BE	DATE 02/09/03	TITLE PERMA-SEAL TERMINAL SPADE TERMINAL 16-14 AWG TAPE MOUNTED	
				3 PLACES ± --- ± ---	CHECKED BY HB	DATE 02/09/03	MATERIAL NO. RD	
				2 PLACES ± --- ± ---	APPROVED BY RD	DATE 02/09/03	DOCUMENT NO. SD-19164-027	
				1 PLACE ± --- ± ---	MATERIAL NO. SEE CHART		SHEET NO. 1 OF 1	
				ANGULAR ± .5 °	THIS DRAWING CONTAINS INFORMATION THAT IS PROPRIETARY TO MOLEX INCORPORATED AND SHOULD NOT BE USED WITHOUT WRITTEN PERMISSION			